

HORIZONTAL SPLIT CASE PUMPS SCW SERIES



C.R.I SCW series are horizontal split case pumps with high efficiency and performance. These pumps are manufactured under strict tolerance to ensure that the highest levels of quality are maintained.

SPECIAL FEATURES

- . Dynamically balanced impellers
- . Suction/Delivery parts as per ANSI/DIN & ISO Standards
- . Low shaft deflection reduces packing & running wears, results sustained efficiency & economic operation.
- . Sturdy design and higher efficiency
- . Entire rotating element can be removed without disturbing pipe and prime mover
- . Mechanical & Stuffing Box option
- . Oil or Grease lubrication
- . Wearable & Corrosion resistant Shaft Sleeve
- . Easy to Maintenance

MATERIAL OF CONSTRUCTION

Pump Casing	SS 304 / SS 316
Impeller	SS 304 / SS 316
Shaft	SS 304 / SS 316
Pump Cover	SS 304 / SS 316
Sleeve	SS 304 / SS 316
Mechanical Seal	Sic vs Car / Sic vs Sic

* Other material of construction viz. stainless steel casing , impeller etc., optional as per customer needs .

APPLICATIONS

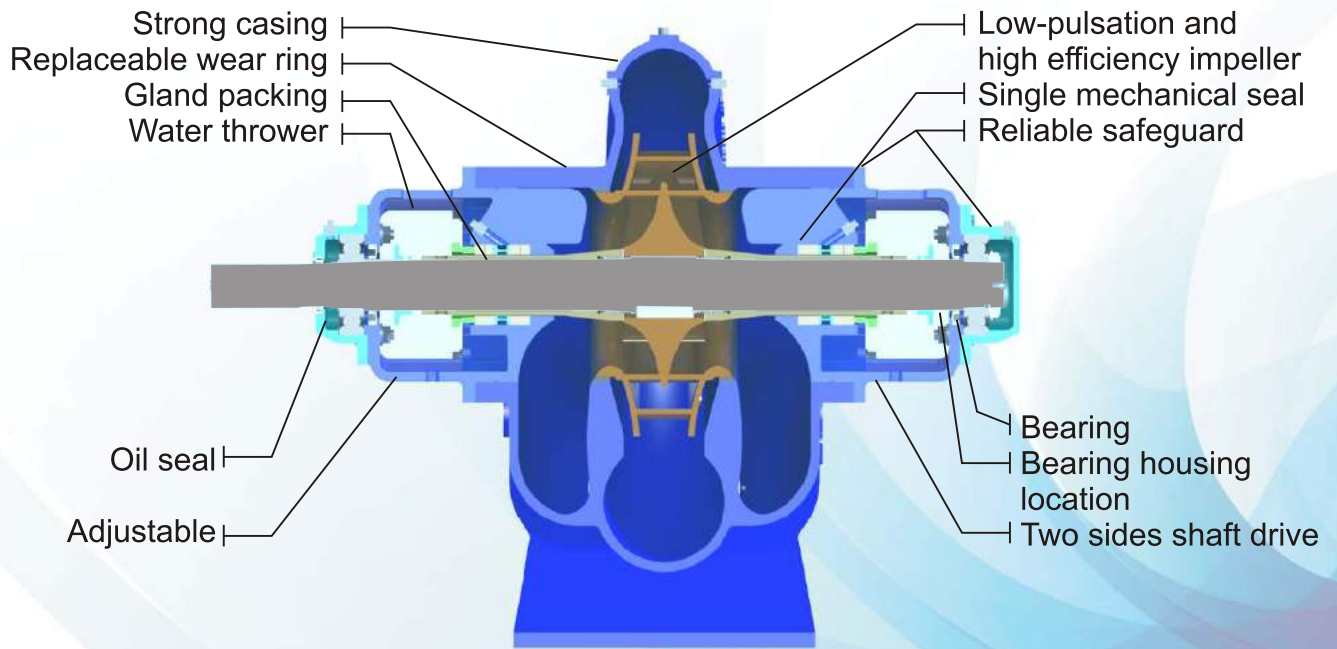
Water supply | Irrigation Fire Protection | HVAC systems |
Building services | Power plants | Steel and cement industry
Paper mills | Oil and petro chemical industries | Treatment plants |
Sea water desalination

SPECIFICATION

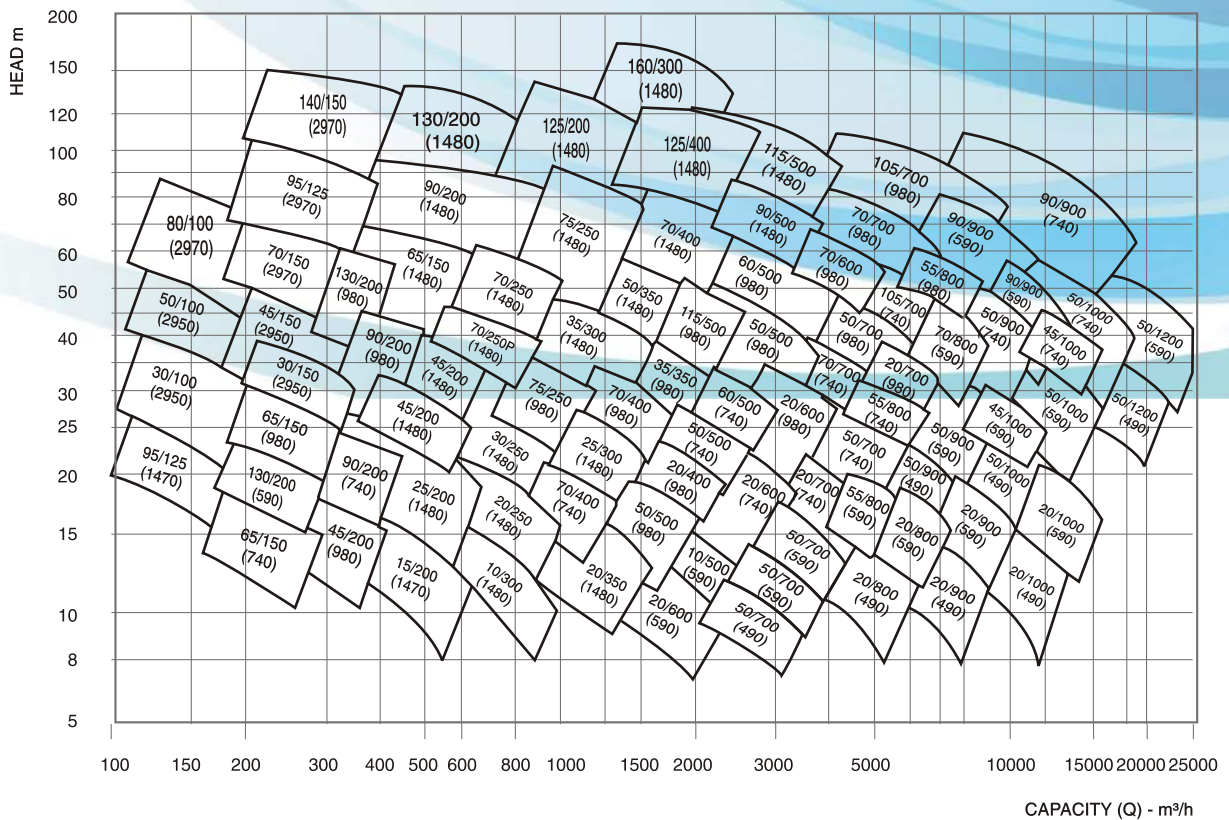
Flow	:	upto 5000 m ³ /hr
Head	:	upto 100 m
Liquid Temperatures	:	upto 100°C
Operating Pressures	:	16 bar
Max. Working pressure at Nominal head		< 95m (10 bar) Between 95 to 129m (16 bar) > 135m (25 bar)



C.R.I. PUMPS
Pumping trust. Worldwide.



Performance Curve



C.R.I. Pumps Private Limited

Regd. Office: 7/46-1, Keeranatham Road, Saravanampatty,
Coimbatore - 641 035, Tamilnadu, INDIA.
Phone : +91-422-3027000 Fax : +91-422-3027005
E-mail : bcsmtk@cripumps.com www.crigroups.com
Toll Free 1800 200 1234

Authorised Dealer :